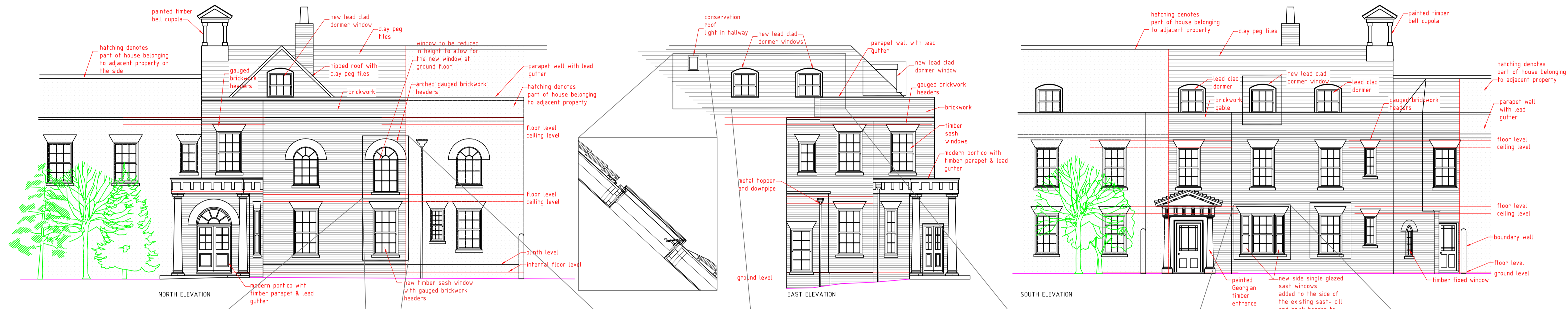


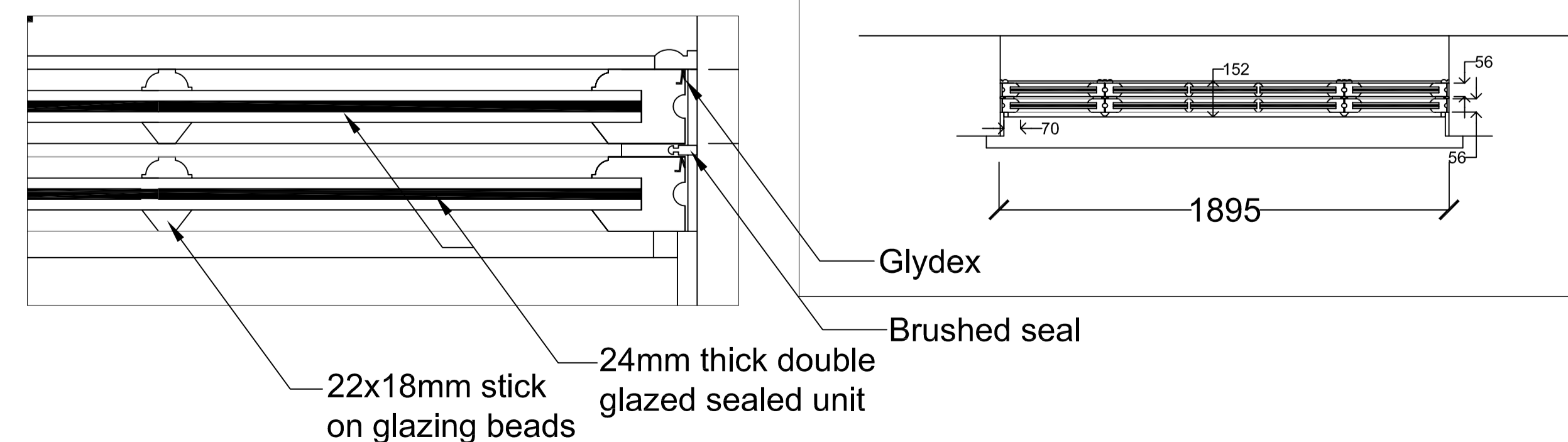
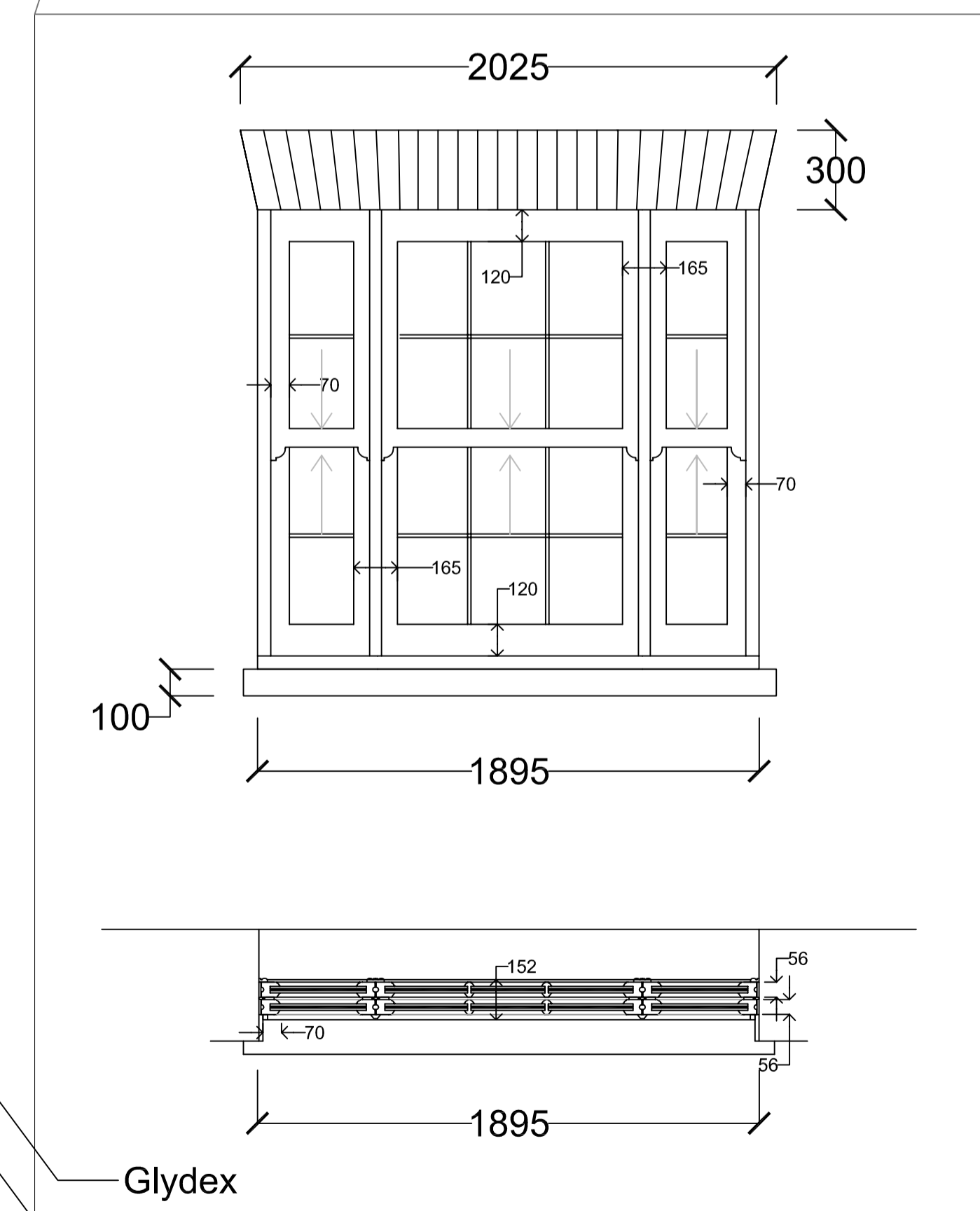
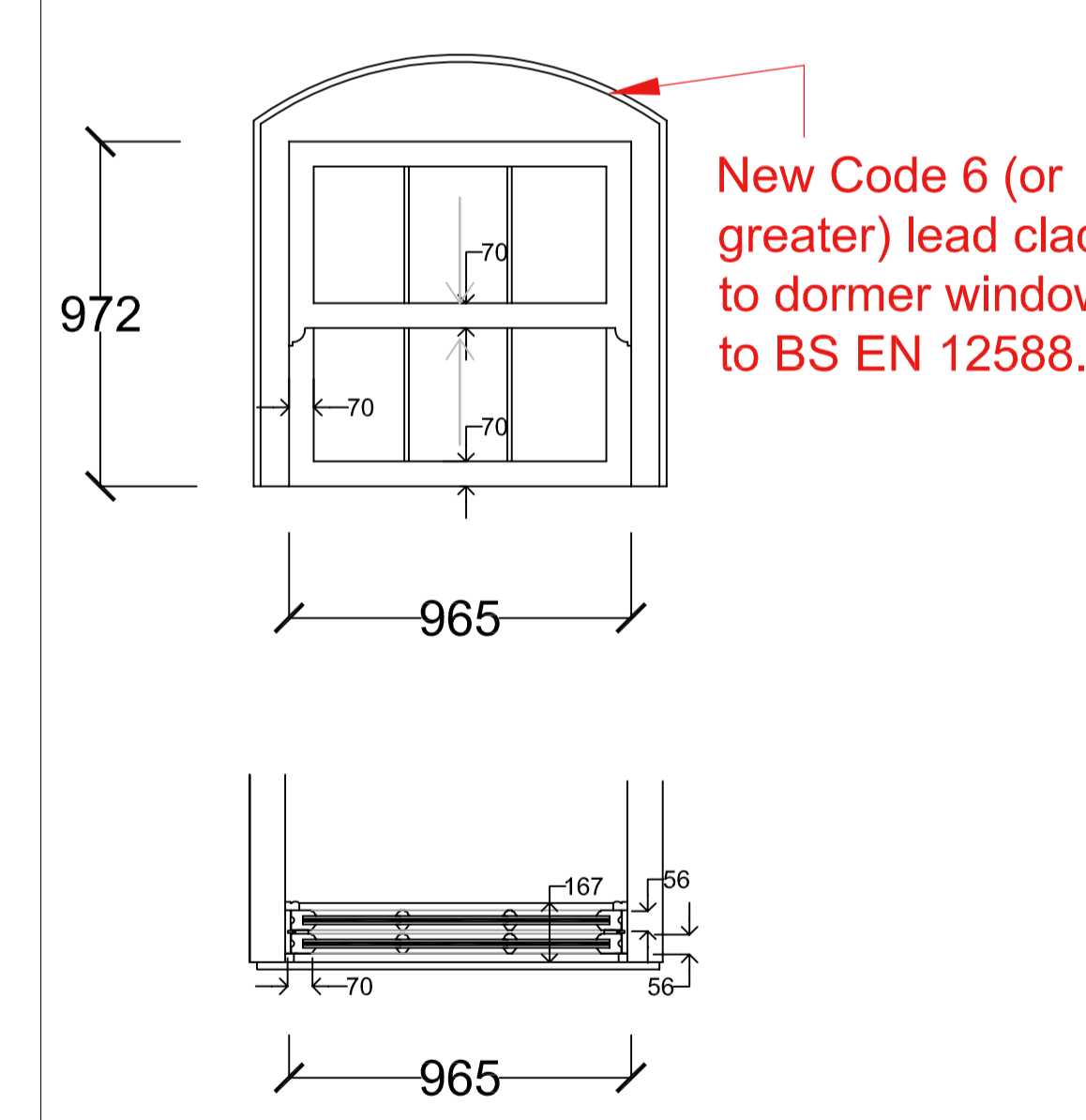
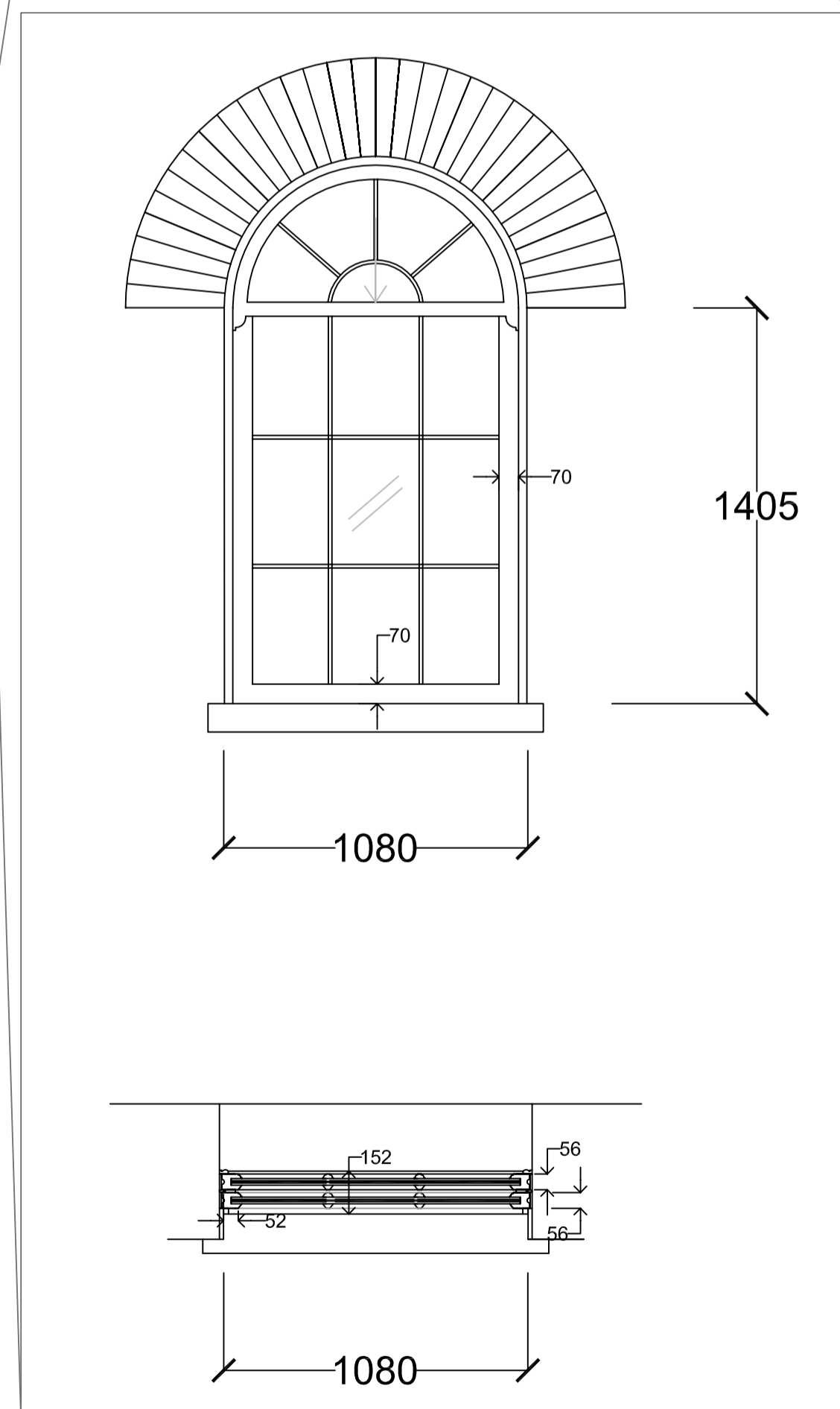
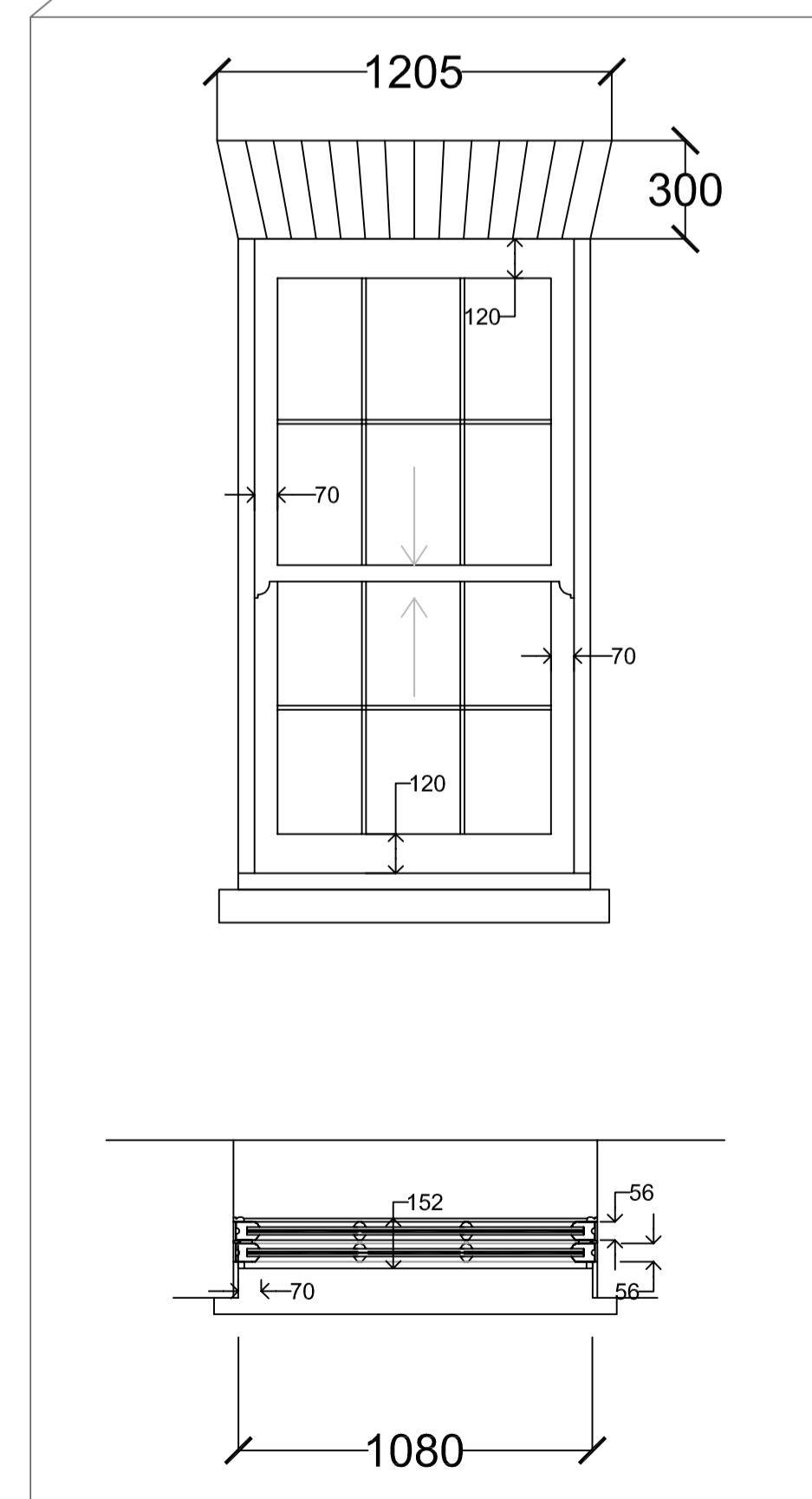
Proposed



Rear Elevation 1:100

Side Elevation 1:100

Front Elevation 1:100



Revisions:



Client: Mr Mitchell Colman
2 Theydon Priory
Theydon Garmon
Epping
CM16 6NU

Project: Loft Extension and Additional Windows
2 Theydon Priory
Theydon Garmon
Epping
CM16 6NU

Title: Proposed Window Details

Date: January 2019	Drawn by: Cem Orhan	Checked by:
Scale @ A1: 1:100 / 1:20	Drawing no.: C-PAD/02/19/002	Revision: /